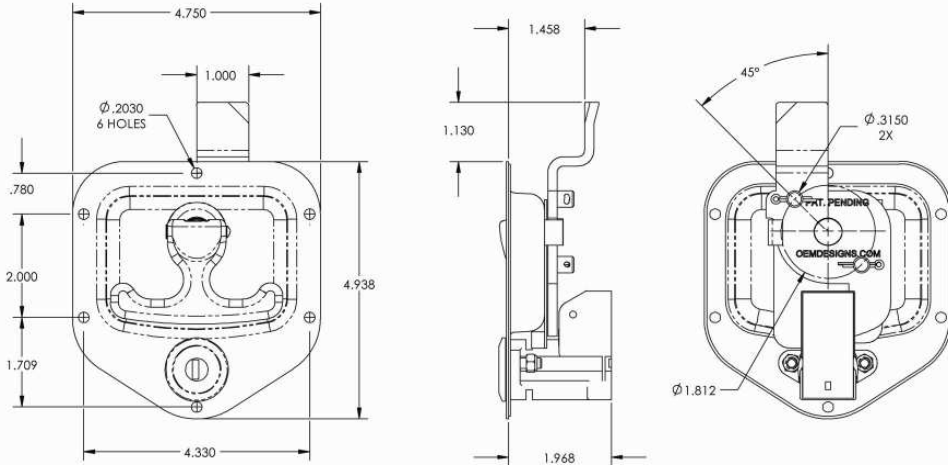


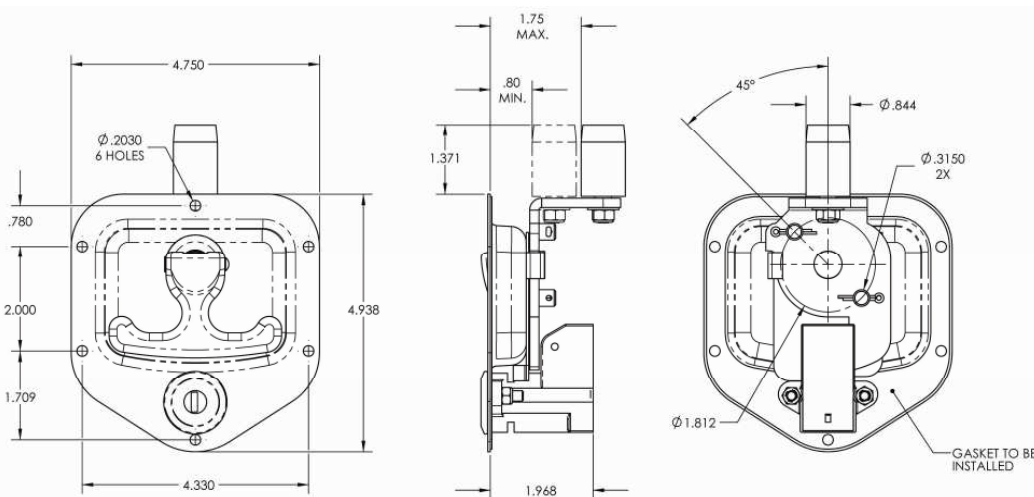
## Codeable Folding T-Handle

A new patented lock technology allows our Folding T-Handle to “learn” a specific automotive key code. The lock learns the code of the automotive key after its initial insertion!



Base Part Number	Material	Finish	Mounting
F110-70-04-A	Stainless Steel	Polished	Holes
F120-70-04-A	Stainless Steel	Polished	Threaded Weld Studs

## Features Adjustable Cam!



Base Part Number	Material	Finish	Mounting
F110-80-04-A	Stainless Steel	Polished	Holes
F120-80-04-A	Stainless Steel	Polished	Threaded Weld Studs